

Landscape Architect Registration Examination Preparatory Courses

Grading, Drainage & Construction Documentation

Section 4

Raleigh, NC: October 10-12, 2014

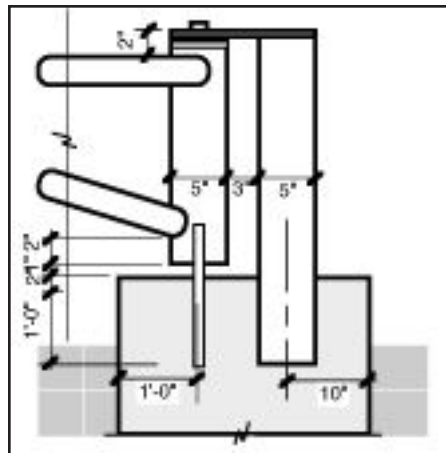
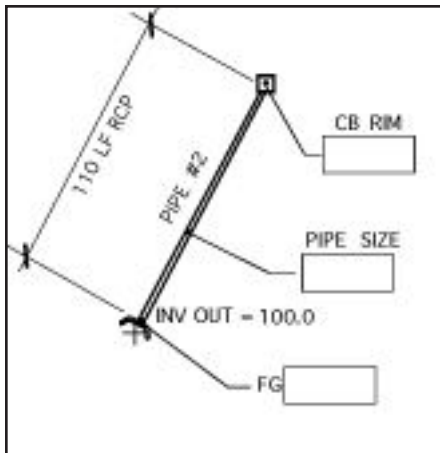
Berkeley, CA: October 17-19, 2014

Seattle: October 24-26, 2014

Project and Construction Management Inventory and Analysis

Section 3

Berkeley, CA: October 31-Nov 2, 2014



Freeman & Jewell Landscape Architecture

Freeman & Jewell

Landscape Architecture

1422 Peralta Avenue

Berkeley, CA 94702

Freeman & Jewell Landscape Architecture is once again offering our popular series of preparatory courses for candidates taking the Landscape Architect Registration Examination. The courses are offered three times each year in Northern California and in other locations, usually four to eight weeks prior to the examination dates. Our classes have attracted students from 46 states, five Canadian provinces, Puerto Rico, and The District of Columbia.

Note: All of our classes are current with the new 2012 exam format, and are updated every six months.

The schedule for our classes is tied to the CLARB exam cycle. Section 4 reviews are offered three times per year. Sections 1&2 (a two day class) and Section 3 (a three day class) are alternated at our Berkeley location. Our next class for Section 1&2 will be held in February.

In addition, I travel to other venues throughout the year to give review classes. Regular venues include Raleigh, NC and Seattle, WA. I have also given LARE review classes in Denver, Kenosha, WI, Philadelphia, and New York City.

Practically speaking, about 16 students are needed to make a class outside of Northern California financially viable. My classes in California (unlike some review sessions offered by others) have never been cancelled due to low enrollment.

Grading, Drainage & Construction Documentation: Section 4 Bootcamp Landscape Architects Registration Examination

Through lecture, group discussion, and practice exercises, this intensive three day course focuses on preparing students to take Section 4 of the Landscape Architects Registration Examination. This course includes a look at what material is typically covered on the exam and strategy tips on the new advanced item types. **The course will include a short refresher on the fundamentals of grading and drainage.** We will focus on building and reinforcing skills essential to successfully completing section 4 of the LARE. Each student will receive a syllabus and separate problem packages containing over 457 pages of information pertinent to Section 4, a minimum of 155 test questions and 35 Advanced Item Type problems. Lectures, practice tests, practice exercises, question and answer sessions are part of the class.

The program includes

Overview of the Exam including question formats
Exam Preparation Techniques
Practical Techniques for Solving the new Advanced Type Problems
Grading Principles
Foundation Systems and Setting Finish Floors
Interpretation of Soil Maps and Reports
Watershed Planning
Accessibility Requirements
Roadway Grading
Vision Cone Problem Solving
Effects of Urbanization on Watersheds
Storm Drainage and Stormwater Management Principles & Devices
Elements, Functions and Design of Storm Water Ponds and Dams
Construction Documents
Specifications
Sedimentation and Erosion Control
Basic Stormwater Computations
Selection of Construction Materials
Construction Detailing
Structural Considerations
Irrigation Systems and Septic Systems

"I want to thank you for your great teaching. I don't know how I could have passed without taking your classes. They enabled me to pass each exam on the first try. I couldn't have done it without all the tricks and tips you gave us."

Phoebe Mc Cormick, Berkeley, CA Oct 10

Instructor

Ray Freeman, is a principal of Freeman & Jewell Landscape Architecture and has more than 37 years of experience as a Landscape Architect. His specialty areas include site planning, layout and grading plans, sedimentation control, storm drainage and storm water management design, environmental permitting, and construction detailing. Mr. Freeman has taught LARE reviews since the Spring of 2000. He also taught grading and drainage in the Landscape Architecture program at the University of California at Berkeley between 1995-1999 and currently teaches Site Engineering for Landscape Architects at the Academy of Art University in San Francisco, Construction Technology at UC Berkeley Extension and Materials and Detailing at UC Berkeley.

Dates, Times and Locations

October 17-19, 2014. Friday -Saturday-Sunday 8:30 am-6:30 pm. Location: LaQuinta Inn and Suites, 920 University Ave., Berkeley, CA, 94702. A map and directions will be furnished upon enrollment.

Each Participant will need to bring the following supplies

- Engineers scale
- Parallel glider or portable drafting board (optional)
- Adjustable triangle and small 45 & 30/60 triangles (optional)
- Drafting tape
- Pencils or leadholders and erasers
- Highlighter
- Calculator with square root capability
- 12-inch roll of tracing paper
- Notepad

"The structure of the course, and the instruction offered by Ray were top notch. He is an expert on taking this exam and grading work, and is able to break down this complicated subject for his students better than anyone I have encountered to date. Everyone in the class received personal attention and assistance, and I cannot sing his praises enough! The quality and depth this workshop covered far exceeded my expectations, and I will be sure to tell everyone I know how wonderful it was. I think this workshop helped me a hundred-fold in being prepared for the exam."
Stephanie Coble, Raleigh, NC, Apr 2010

"I'm stoked to find out today I passed sections 3 & 4 of the LARE. Thanks for all your help, Im thinking about coming for the sections 1 & 2 review your having. Is there still room?" Robert Richards, Santa Barbara, CA Fall 12

"I just wanted to let you know that I took and passed the CSE yesterday! (May 2013) Please keep me on your mailing list for LARE sessions, I am active in ASLA and will keep mentioning your courses to candidates interested in becoming licensed." Dalton LaVoie, Sacramento, CA Spr 12

Design

Section 3 Bootcamp

Through lecture, group discussion, and practice tests, this intensive three day course focuses on preparing students to take Section 3: Design of the LARE.

Students will be exposed to fundamentals of planning and design related skills necessary to pass this section, and problem solving techniques applied to example tests. Each student will receive a course syllabus containing approximately 294 pages of information pertinent to Section 3 of the LARE. There will be a minimum of 20 design advanced item type problems and at least 180 test questions in the section 3 syllabus.

The program includes

Question Formats

Planning standards used in the Design section

Typical types of problems encountered in Section 3

Social Factors in Design

Site Analysis and Programming

Vehicular and Pedestrian Circulation Systems

Site Planning

Accessibility Requirements

Implications of scale in using LARE design standards

Basic Design Principles

Principles of Site Design

Resource Conservation and Management

Floodplains and Wetlands

Graphic Communication

Surveying Standards

Grading Conventions

Cut and Fill Calculations

Principles of Stormwater Management

Circulation System Design

Roadway Design Principles

Noise Attenuation

Lighting Systems

Students will complete short timed tests covering basic skills required in planning and site design. Lectures on topics tested by the exam and encountered in professional practice will be given each day.

“Thanks so much for a great class! I really feel so much more prepared to study and take the exam now. I'm sure I'll be in touch with questions, but just wanted to thank you for an intense and well-structured 3-day stretch.”

Lauren Hackney, Berkeley, CA Spr 13

Date, Time and Location

Saturday-Sunday, October 31-November 2, 2014. 8:30 am-6:30 pm.

Location: LaQuinta Inn and Suites, 920 University Ave., Berkeley, CA, 94702.

A map and directions will be furnished upon enrollment.

Each participant will need to bring the following supplies

- Engineers scale
- Parallel glider or portable drafting board (optional)
- Adjustable triangle and small 45 & 30/60 triangles (optional)
- Circle templates (optional)
- Drafting tape
- Pencils or leadholders and erasers
- Highlighter
- Calculator with square root capability
- 12-inch roll of tracing paper
- Notepad
- Scissors and several 8.5x11 sheets of stiff vellum

Comments by former students

“I joined you recently for the LARE 3 class in Berkeley. Just wanted to say a big thank you as I actually passed it (after failing it several times). I don't know what magic you weave but it works. Again...thank you. See you in June for Section 4.”
Sharn Stinson-Ure, Marina Del Ray, CA Spr 14

“Just got the news I passed 4. I couldn't have done it without your bootcamp! I went 4 for 4. I couldn't have done that without your expert teaching, no-nonsense coaching and comprehensive materials. I really appreciate you taking the time to help us all through the LARE process. Are you sure you don't want to do a class on the California exam?” Steve Rasmussen Cancian, Los Angeles, CA Spr 14

“I would recommend you take Ray Freemans two day class in the bay area (Sections 1&2)of all the review courses I took, his was the most thorough...and it was after that class that I finally passed my last section..B/2 last Sept. (2012) There was info there that I hadn't seen elsewhere, and I do believe it was the determining factor for passing section 2.” Agave, Sum 13

“Now that I've taken all 4 sections, I'd simply like to tell you that your courses are put together very well and a must for test takers. They've led to my success through three exams and great confidence going into the 4th. Your course cleanly compartmentalized the vast information included in Section 4 and I gained a great deal of professional understanding, regardless of tested result. I also greatly appreciate your teaching style and making the courses enjoyable over the intense weekend format.” Jayson Wood, Sausalito, CA Sum 13

For More Information

For specific information or questions, **E-mail** (*this is the preferred method for contact*) Rayfreeman3@comcast.net.

Phone (510) 816-0375. You may also fax questions to this number. Please leave an e-mail address for replies.

Registration Deadlines

Enroll early! Class size is limited to a firm maximum of 28 in each session. The following deadlines have been set for registration:

Oct 17-19 Class: Oct 10, 2014.
Oct 31-Nov 2 Class: Oct 18, 2014.

Registration applications for Berkeley which are postmarked after the deadline for registration will be charged an additional \$25.00.

Cancellation & Refund Policy

Classes may be cancelled or rescheduled due to circumstances beyond our control. In the event a class is cancelled, a full refund will be made for that class.

If your plans change and you will not be able to attend a class for which you have registered, a refund (less a \$75 processing fee) will be given if the cancellation notice is received by the relevant registration deadlines given above. Cancellations after the deadline will be charged \$100.00.

About the Berkeley location

La Quinta Inn and Suites is located on University Avenue, just a few blocks from I-80. It is a five minute walk from Aquatic Park and less than 5 blocks from the 4th street commercial district. Overnight accommodations include an outdoor pool, fitness room, business center (one seat), and complimentary continental breakfast. The rooms have free wi-fi. Off street parking is free to all attendees. Quoted room rates are approximately \$119/night. The facility is 12 blocks (15 min walk) from the North Berkeley BART Station and less than 4 blocks from the Berkeley Amtrak Station. BART connections from SFO and Oakland airports are good. There are 30 restaurants within a 10 minute walk of the facility.

Comments by former students

"I passed section 4, yea! Your class really helped, it built up my test taking confidence." Amy Wolfe, University Place, WA Spr 13

"Just wanted to let you know that I passed Section 3 of the LARE. Thank you so much for your help - I couldn't have done it without you!"
Jack Rosenberger, RLA! Oakland, CA Fall 12

"Been meaning to let you know that I finally passed Section C of the LARE. Your workshop made the difference in enabling me to do this. Thank you for making it an enjoyable and positive experience. Thanks, Ray, for offering these LARE courses and providing a real service to the profession." Phil Prince, Portland, OR Spr 12

"L.A.R.E candidates, Ray's courses are well worth the money. Do it right the first time. Learn the secrets of the tests before you spend thousands of dollars and countless hours wondering why you're not passing. The other handbooks and internet study guides are good too, but Ray's study books and courses blow everything else out of the water. I just passed section 3! Thanks Ray!"
Jimmy Jegers, Seattle, WA Sum 13

"I am very excited to say that I have FINALLY successfully completed all of the LARE exams! And it only took me 4 years. I do believe a large part of my success with Section 4 was due to attending your review course. It was an excellent and comprehensive overview of the type of content that was presented in the exam. Thank you for your continued efforts in getting future generations of Landscape Architects licensed!" Micah Mc Millan, Honolulu, HI, Spr 13

"I passed! I took your class at NC State this summer and took the 4th and final section in August. Found out yesterday afternoon that I passed and have already filed my paperwork with SC to get licensed. Thanks again!"
Danielle Riffenberg, Columbia, SC, Sum 13

"Thanks for your email assistance and all the course help this summer. I passed my section 4 Grading and Drainage test. Your course definitely made the difference as it was my second try. Thanks for the help. I really appreciate it!"
Cynthia Patulski, Rio Rancho, NM, Sum 13

"I passed!! Thanks so much for your insight and for offering your very helpful review course. I think it really helped me to conquer this exam (finally!). It gave me the confidence to know I was prepared and you pointed out a few things that I needed to watch carefully on the exam (both things I was slipping up on & tricky questions to be aware of). I really appreciate your guidance. I'm sure you don't make a fortune by teaching these exams and rather it's a way of giving back to the profession. Please know, you are most appreciated!"
Jennifer Wagner, Raleigh, NC, Sum 13

Complete the form and mail it to

Freeman & Jewell Landscape Architecture
1422 Peralta Avenue
Berkeley, CA 94702

1. Fees

Course fees are as follows:

Oct 17-19 Class, Section 4 : \$450 (3 days)

Oct 31-Nov 2 Class, Section 3: \$450 (3 days)

Multi-course discount: Subtract \$30 from total fee for the two weekends in Berkeley. In order to receive the multiple course discount, you must sign up for both courses at the same time.

Registration applications which are postmarked after the deadline for registration will be charged an additional \$25.00. See previous page.

Complimentary soft drinks, coffee, tea, and water are provided as part of the course. Light snacks are provided at breaks.

Please return the Enrollment/Payment form on the right with your check made out to Freeman & Jewell.

We are unable to accept credit cards. Please do not send cash.

Caltrans has recognized these courses as being eligible for reimbursement as an education/professional development expense.

In order to keep administrative costs down, we are unable to provide advanced documentation to governmental agencies in order for them to cut payment checks directly to us. Please apply for reimbursement after the course. I will be happy to provide certificates of completion upon your request. Acknowledgement of payment and receipts are sent to all registered parties.

"I want to thank you for getting me over the hump. I thought I was close before I took your class, however, your class and teaching really helped to expose my weaknesses. I would gladly recommend your class. I was very impressed with your presentation and knowledge of the material." David Josephus, Durham, NC Apr 07

"I am officially DONE with the LARE. Thank you so much for all your help during this process, your workshops were amazing!!" JP Casillas, San Juan, Puerto Rico

3. Enrollment

Please enroll me in the following courses:

Note: Use this form ONLY for Berkeley, CA classes!

Grading, Drainage & Construction Documentation
Section 4 Bootcamp (Oct 17-19) [\$450]

Design
Section 3 Bootcamp (Oct 31-Nov 2) [\$450]

Multiple course discount [-\$30]

To register for the Raleigh or Seattle workshops, go to:

www.wasla.org or www.design.ncsu.edu/about/alumni/continuing-education/landscape-architecture-registration-examination-preparatory-course

4. Payment

Number of courses: _____ Total course fees: \$_____

I enclose a check for \$_____ as full payment for the courses selected.

Make checks payable to: Freeman & Jewell.

5. Customer Information (please print legibly)

Note: If you do not want your home address put on the class rosters, please provide your work mailing address instead.

Name: Mr. Ms. _____

Address: _____

City: _____ State: _____ Zip: _____

Telephone: _____ (ofc) -shows on class roster-

_____ (cell) (optional)

E-Mail: _____

Employer: _____

Important: Please do not send letters requiring a signature (certified, etc.) All registrants for Berkeley will receive a letter and/or e-mail acknowledging your registration.

Additional comments by former students

"I passed section 3 of the exam this April, thanks to your class! I took your class in February in Berkeley. I am a mother of 3 under the age of 5, so studying for such an exam while working part time is a challenge. Your class made the exam much easier to study for, much less intimidating as it would have been if I had not taken your course. Your insight is dead on with material content and exam format! Thank you for getting me past this hurdle! This was my first exam, so I do have the other sections to yet pass. Please sign me up for your next class in Berkeley for sections 1 and 2." Andrea Chapman, Petaluma, CA Spr 14

"I passed section 3--and am now done with the LARE and ready to move onto the CSE! Thank you so much for your amazing classes and syllabi--no way could I have passed 3 & 4 on the first try without them. I've recommended them to everyone I know who is taking their exams. Thanks again, Ray. It's the best feeling to be through that process and I couldn't have done it without you and your classes!!" Lauren Hackney, San Francisco, CA Spr 14

"I just wanted to send another word of thanks to you for the extremely helpful Bootcamp course for Section 4 this past February. We all greatly appreciated your sincere dedication to our success on the test. I felt confident both going into the test and also coming out of it. It was fun to see other fellow classmate's names on the list of individuals who have completed the LARE. Another successful and grateful student," Elaine Stowell, Tarzana, CA Spr 14

"I took your your Section D review webinar this past March prior to sitting for Sections A, B and D of the exam. I am very happy to tell you that I passed all three sections on my first attempt!! Your section D review webinar was invaluable in my success! To anyone out there considering taking a review class, I give Ray Freeman's the highest marks! He presents the information that you should be familiar with in a very clear and concise method that makes it very easy to understand what type of material you should be studying. Also, his dedication to preparing you for the exam was really amazing. The webinar I signed up for was originally supposed to be a 2 day (evening) seminar. He extended the webinar by a full day and each day went over the give time allotment to be sure he covered all the material and answered everyone's questions.... all for the original price! Plus, he is always checking into this forum to help shed light on peoples questions! Thanks again Ray!" Joe (Treedork on Google)

"Just wanted to send the good news that I passed section C! That was my last exam, so I'm ready to send in the paperwork for my license. I'm super excited and want to thank you for coming up to Seattle to teach your Section E and C workshops this past year. Both workshops helped me pass on the first attempt and get my studying kick started." Amy Lindemuth, Seattle, WA Apr and Oct 10

"I finally passed Section E! It's been a long struggle, but very rewarding to have finally conquered such a huge challenge. Thank you again for all you did to get me to this place. Both of your review courses and your tutoring sessions finally tipped the scale. I would never have been able to do this on my own. You haven't seen the last of me, though. I'll be back in the fall to take your Section C review course with renewed energy and determination. Thanks again!"
Cathryn Rose, Santa Rosa, CA Apr 11

"What a thrill!!!...and relief. I passed my final hurdle, Section C! There's no way I would have made it without your course material, thoughtful teaching skills and genuine emotional support. THANK YOU. This road to licensure has been long and unbelievably challenging, but now I know my goal is within reach. Thank you again. You gave me all the tools I needed to succeed."
Cathryn Rose, Santa Rosa CA, Oct 11

"I passed both! After 4 or 5 or 6 attempts at C & E (I lost count) before taking your class you can imagine how ecstatic I was to see my results!"
Erika Gendreau, Redwood City, CA Oct 11

"I'd like to thank you for your excellent LARE preparation courses. I had trouble with Sections D and E. I failed D on my first attempt, then took your section D webinar - and passed on my second attempt. I failed E twice, then took you section E workshop - and just found out I passed on my third attempt. Thanks again for your excellently guided webinars and workshops."
Steven Chavez, Los Angeles, CA, Nov 11

"I finally PASSED Section E! I could not have done it without you. Thank you for coming to N.C. State. And I am forever in debt to you. If there is ever a way I can repay you please let me know. Passing this test affirms my professional ability with in Landscape Architecture. I've already started a company (from being RIF'd at my last employer) doing planting design. I am now ready to move forward with my Landscape Architecture, land planning, and environmental management company. Thank you once again. Your expertise truly expands from West Coast to here on the East Coast!" Ryan McAlister, Wilmington, NC May 11

"I took only your E boot camp in October but I think the lessons learned from that helped to get me mentally prepared for C, too. I took another C class; A horrible waste of money -- no explanation of the "whys" and the vignettes were full of mistakes. I would have much preferred to have another trip to Marin and give you my money. Please send anyone who <wants a recommendation> my way!!"
Laura Ballock, Pasadena, CA Nov 11

"Just wanted you to know I passed both Sections (C&E) . Thanks so much for the courses, those were KEY, I'm sure of it. Great to have that done and in the past! Have a great autumn." Jesse Young, Denver, CO Spr 12

"Thanks so much for being a great instructor and really opening my eyes (and brain) up to what/how I need to prepare for. I found that your guides, explanations, vignettes, and your course were EXTREMELY helpful. I don't know how someone who had no experience dealing with CLARB's reference manual and LARE-land would pass these exams. Thank you again for your help and time." Connie Chao, Fremont, CA Fall 12

"Been meaning to let you know that I finally passed Section C of the LARE. Your workshop made the difference in enabling me to do this. Thank you for making it an enjoyable and positive experience. Thanks, Ray, for offering these LARE courses and providing a real service to the profession." Phil Prince, Portland, OR Apr 12

"This course proved to be the deciding factor for me passing. As a project manager, I do grading plans quite often and people look to me for professional guidance. When I took your class, it became crystal clear that I was missing some key elements in my solutions. The practice vignettes in addition to the instructor's insight and experience was what I needed to pass." Darin Nordahl, Redding, CA.

"It's a bloody miracle! After 5 attempts, thousands of dollars and losing pounds of hair, I just found out that I passed my nemesis - Section E....and I owe it largely in part to your study session in San Francisco. Thanks to you I have now passed the LARE." Gyles Thornely, Aspen, CO Apr 07

"Add me to your every growing list of "hopeless cases" who finally passed Section E after taking your class. I don't know how to thank you enough. I've told everyone in LA about your great weekend boot camp." Greg Maher, Los Angeles, CA Apr 10

"I wanted to take this opportunity to thank you for the support and resources that you provide to aid in preparing for the LARE. I passed A, B, & D on the first try! I also attended the review course that you taught at N.C. State University last May for section E and I passed on the first try! The only section that I did not utilize your resources for was C, and guess what? It took me two tries for that one (passed on the second). That's what I get for straying from a proven preparation system! Thanks again for providing such a valuable service for such a tough exam." Adam Southwell, Holly Springs, NC May 11, Spr 12

"The technical & practical information was great but also learning what to expect from the exam and how to handle it was very valuable. I had failed section E before, took your prep course, took Section E again and passed. I credit your class for my success the second time." Scott Lynch, Claremore, OK Spr 12

"I wanted to let you know that I finally passed the <E> exam! The review course was instrumental in this process and gave me the knowledge and confidence that I needed to finally pass. The problems you gave us were more difficult than anything on the exam but, the degree of difficulty really helped to get the concepts to click for me. Thanks, Ray." Annette Walby, Minneapolis, MN Oct 10

"Your <E> class was an excellent review and it really set me on the right track. I worked all of your problems and the ASLA web-site vignettes prior to the exam. I'm really pleased to put it behind me. Thanks for all your help, I would definitely recommend your review course to others." Jeff Torrens, Schaumburg, IL May 11

"I want to thank you for everything your classes [C&E] and vignettes offered. I PASSED on the first try!! I'm completely done with the LARE. Now it's onto bigger and better things--most importantly living life! My feet still haven't touched the ground! :-)" Anne Hanenburg, Spokane, WA Apr 11

"3 times a charm! I finally passed section E!!! Your advanced course definitely helped me tackle that beast with confidence and the proper strategies to finally slay it!! You did a great job of showing us how to work through the problems systematically. This was my last test, I'm done! Thanks, and hopefully you have lots of other students with same great news!!" Holly Williams, Tacoma, WA Nov 11

"I have passed Section E as of December 2011.....which I am absolutely thrilled about! I took your Boot camp course for Section E in Raleigh, North Carolina, and flew out to San Francisco for a follow-up Boot camp for Section C and Sections A and D. Not only did I pass the exams, but more importantly, I have met some of the most amazing people from all over the United States. My colleagues Victoria Silverman, Roger Sherry and Robin Pelensky who have all taken your course and are now registered landscape architects are also some of my closest and dearest friends. What I have gained from attending your workshop is not only knowledge, and understanding but it has enriched my life far beyond measure by the people which I have met along the way. Thank you for everything" Sandra J. Neal OALA, CSLA Ontario, Canada 2010-11

"I passed Section C and now I am finished with the LARE! still in shock... I attended the Sec C workshop in San Francisco this past fall . . . rainy but so informative. I believe with all of my heart that I never would have passed Sec C and E (North Carolina) had I not attended your workshops. A HUGE thanks for ALL of your dedication . . . I am forever grateful." Victoria Silverman, Long Island, New York Oct 10